

## GLASSES

- Standard
- Heated front and side glasses
- Float glass top

## INTERIORS

- Standard
- Mirror
- Optional
- Acrylic
- Grès
- Epoxy painted s/s

## PANELS

- Standard
- FENIX Laminate
- black/white/gray
- Optional
- Custom RAL color

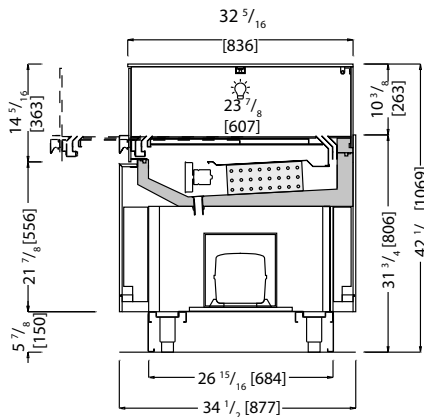


## Ventilated Refrigerated Showcase

Glass structure with mechanical fastening | front glass, sides and back with drawers in heated glass | micro-ceiling light in bright aluminium with no-spot 3000°K led lighting | tank insulated with ecological polyurethane and covered with stainless steel | ventilated refrigeration with capillary system (thermostatic valve for external motor) | electronic control unit and digital temperature reader flush with the surface | display trays with removable coplanar drawers | supporting frame in galvanized steel with height-adjustable stainless steel feet

 +39.2°F / +42.8°F





\*Island Style Paneling Shown



**Technical**



- Ventilated
- R452a
- Hermetic
- Led no-spot 3000°K
- Automatic
- N. 3 /RH 60% max 75 °F
- 120 V / 1 Ph / 60 Hz
- +39.2/+42.8°F

**Data Sheet**

\*Measurements are subject to revisions/updates, please refer to manufacturer's drawings at order confirmation \*Crate weight only

Model Code	Dimensions L x D x H Inches	Weight Lbs	Max Pwr. Consumption W / A	Avg Operating Consumption KW/h	Cooling Power/Expansion BTU / °F	GAS Type
JEP8R4090I (+PANELS)	35 7/16 x 33 9/16 x 42 1/16 46 7/16 x 40 11/16 x 53 1/2	220 168	500 / 3.5	0.25	1535 / 14	R452a
JEP8R4130I (+PANELS)	51 3/16 x 33 9/16 x 42 1/16 58 1/4 x 40 11/16 x 53 1/2	309 229	650 / 3.9	0.35	2047 / 14	R452a
JEP8R4150I (+PANELS)	59 1/16 x 33 9/16 x 42 1/16 66 1/8 x 40 11/16 x 53 1/2	419 258	800 / 4.5	0.5	2388 / 14	R452a
JEP8R4170I (+PANELS)	66 15/16 x 33 9/16 x 42 1/16 74 x 40 11/16 x 53 1/2	485 291	1000 / 6.0	0.7	2661 / 14	R452a

**Optionals:**

- CIC01  
Logo on internal drawer
- CIV95-109  
Customized display drawer
- CIV72  
Chocolate refrigeration
- CIT16  
Condensation water pan
- CIM08  
Kit wheels