

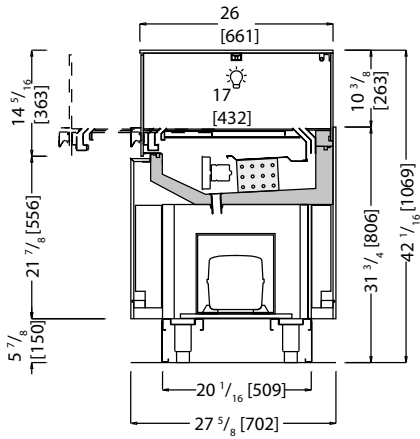


Ventilated Refrigerated Showcase for Chocolates and Dual Temp. Applications

Glass structure with mechanical fastening | front glass, sides and back with drawers in heated glass | micro-ceiling light in bright aluminum with no-spot 3000°K led lighting | tank insulated with ecological polyurethane and covered with stainless steel | ventilated refrigeration with capillary system (thermostatic valve for external motor) | electronic control unit and digital temperature reader flush with the surface | display trays with removable coplanar drawers | supporting frame in galvanized steel with height-adjustable stainless steel feet

+39.2°/+42.8°F





Technical

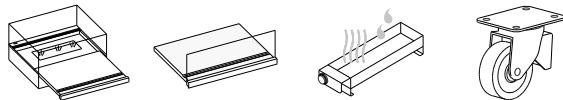


- Ventilated
- Automatic
- R452A
- N. 3 / RH 60% max 75 °F
- Hermetic
- 220 V / 1 Ph / 60 Hz
- Led no-spot 3000°K
- +39.2/+42.8°F

Data Sheet *Measurements are subject to revisions/updates, please refer to manufacturer's drawings at order confirmation *Crate weight only

Model Code	Dimensions L x D x H Inches	Weight Lbs	Max Pwr. Consumption W / A	Avg Operating Consumption KW/h	Cooling Power/Expansion BTU / °F	GAS Type
JEP6R4090I (+PANELS)	35 7/16 x 27 15/16 x 42 1/16 42 1/2 x 35 x 53 1/2	198 143	400 / 3.2	0.25	1365 / 14	R452A
JEP6R4130I (+PANELS)	51 3/16 x 27 15/16 x 42 1/16 58 1/2 x 35 x 53 1/2	287 198	500 / 3.5	0.3	1706 / 14	R452A
JEP6R4150I (+PANELS)	59 1/16 x 27 15/16 x 42 1/16 66 1/8 x 35 x 53 1/2	331 225	700 / 4.1	0.4	2047 / 14	R452A
JEP6R4170I (+PANELS)	66 15/16 x 27 15/16 x 42 1/16 74 x 35 x 53 1/2	375 254	800 / 5.0	0.45	2320 / 14	R452A

Optionals:



- CIC01
Logo on internal drawer
- CIV95-109
Customized display drawer
- CIT16
Condensation water pan
- CIM08
Kit wheels