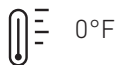
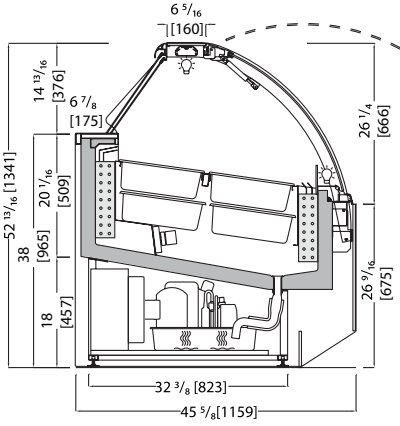




Gelato Showcase

Curved single front glass heated and openable upwards | sides in laminated glass heated with silk-screen printing | bright aluminium profiles | no spot 3000°K led lighting | operator compartment with PETG easy sliding | tank insulated with ecological polyurethane and covered in stainless steel | ventilated refrigeration | reverse cycle defrost | electronic control unit and digital temperature reader flush with the worktop | worktop in polished stainless steel | pre-arrangement for pans dim. 14 ³/₁₆ X 6 ¹/₂ X 4 ³/₄ [360x165x120] not supplied | backlit ice cream flavor tags | supporting frame in galvanized steel with height adjustable stainless steel feet





Technical



- Ventilated
- R452A
- Semi-Hermetic
- Led 3.000°K
- Automatic/reverse cycle
- N. 4 / RH 55% max 75 °F
- 220 V / 3 ph / 60 Hz
- 0°F

Data Sheet *Measurements are subject to revisions/updates, please refer to manufacturer's drawings at order confirmation. *Crate weight only

Model Code	Dimensions L x D x H Inches	Weight Lbs	Max Pwr. Consumption W / A	Avg Operating Consumption KW/H	Cooling Power/Expansion BTU / °F	GAS Type
SPC2GEL121 (+PANELS)	43 11/16 X 45 1/16 X 52 13/16 50 13/16 X 52 13/16 X 64 1/4	595 309	2000/5,4	1	2730 / -32.8	R452A
SPC2GEL181 (+PANELS)	63 3/8 X 45 1/16 X 52 13/16 70 1/2 X 52 13/16 X 64 1/4	761 430	3000/8,0	1,4	3856 / -32.8	R452A
SPC2GEL241 (+PANELS)	82 15/16 X 45 1/16 X 52 13/16 90 X 52 13/16 X 64 1/4	915 551	3600/9,7	1,8	4913 / -32.8	R452A
SPC2GEL12+121 (+PANELS)	82 15/16 X 45 1/16 X 52 13/16 90 X 52 13/16 X 64 1/4	948 551	3700/9,5	1,9	2730+2730 / -32.8	R452A
30° R3106 SPC2GELAP30I (+PANELS)	R119 3/4 X 45 1/16 X 52 13/16 50 13/16 X 52 13/16 X 64 1/4	661 408	2700/7,0	1,3	3242 / -32.8	R452A
30° R1896 SPC2GELCH30I (+PANELS)	R77 3/16 X 45 1/16 X 52 13/16 66 1/4 X 52 13/16 X 64 1/4	661 408	2700/7,0	1,3	3242 / -32.8	R452A

Optionals:

- 0
39.2
CIT37
Switch from 0° to 39.2°F
- PVP00-03
Epoxy painted profiles
- CIV05-06:12
s/s trays for ice-cream cakes
- GSG01
Stick ice-cream rack
- CIV61
s/s pan mm. 14 3/16 x 6 1/2 x 4 3/4
- CIV63
s/s pan mm. 14 3/16 x 9 13/16 x 3 1/8
- CIV56
s/s dipper well
- CIV18-20
Roller night blind
- CIT46
Remote assistance