

GLASSES

Standard
- double glazed glass, gray
screen-printing
- front double glass with upward
opening

Optional
- custom screen-printing RAL
color

INTERIORS

Standard
- brushed s/s

Optionals
- powder-coated s/s

PANELS

Standard
- HPL black / gray / white


Optional
- HPL RAL



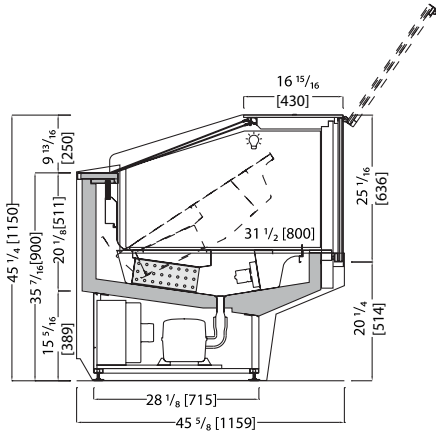
Meat Refrigerated Showcase

Tempered front double glass, upward opening | double glass sides | tempered upper service glass | brilliant aluminum profiles | operator side closure with plexiglass panels | tank insulated with ecological polyurethane and covered with stainless steel | ventilated refrigeration with electronic valve | automatic electric defrosting | electronic control unit and digital temperature reader flush with the surface | display trays in polished steel | worktop in polished steel with servo-assisted lifting system of the worktop and the evaporator unit to guarantee perfect cleaning of the tank bottom | supporting frame in galvanized steel with height-adjustable stainless steel feet



 35.6°F





Technical



- Ventilated
- R452A
- Hermetic
- Led 3.000°K
- Automatic/electrical
- N. 3 / RH 55% max 75°F
- 220 V / 1 ph / 60 Hz
- 35.6°F

Data Sheet *Measurements are subject to revisions/updates, please refer to manufacturer's drawings at order confirmation *Crate weight only

Model Code	Dimensions L x D x H Inches	Weight Lbs	Max Pwr. Consumption W / A	Avg Operating Consumption KW/H	Cooling Power/Expansion BTU / °F	GAS Type
PFRM115I (+PANELS)	45 1/4 x 45 3/8 x 45 3/8 52 3/8 x 52 7/16 x 56 3/4	441 287	700/4,9	0,35	1740 / 14	R452A
PFRM165I (+PANELS)	64 15/16 x 45 3/8 x 45 3/8 72 1/16 x 52 7/16 x 56 3/4	639 397	900/5,8	0,5	2286 / 14	R452A
PFRM215I (+PANELS)	84 5/8 x 45 3/8 x 45 3/8 91 3/4 x 52 7/16 x 56 3/4	728 496	1300/8,0	0,75	3037 / 14	R452A
PFRMAP90 (+PANELS)	63 5/8 x 63 5/8 x 45 3/8 70 11/16 x 70 11/16 x 56 3/4	750 386	1350/8,5	0,8	3207 / 14	R452A

Optionals:

- CIV65-68
Intermediate fix shelf
- CIV57
Glass divider for display area
- CIT46
Remote assistance
- PVP00-003
Epoxy painted profiles
- CIV01
s/s plate for scale
- TGL01
Polyethylene cutting board
- MB324/325
s/s exposition step
- CISF65-77
Custom worktop
- DPV01
10mm lowering around sinks