

GLASSES

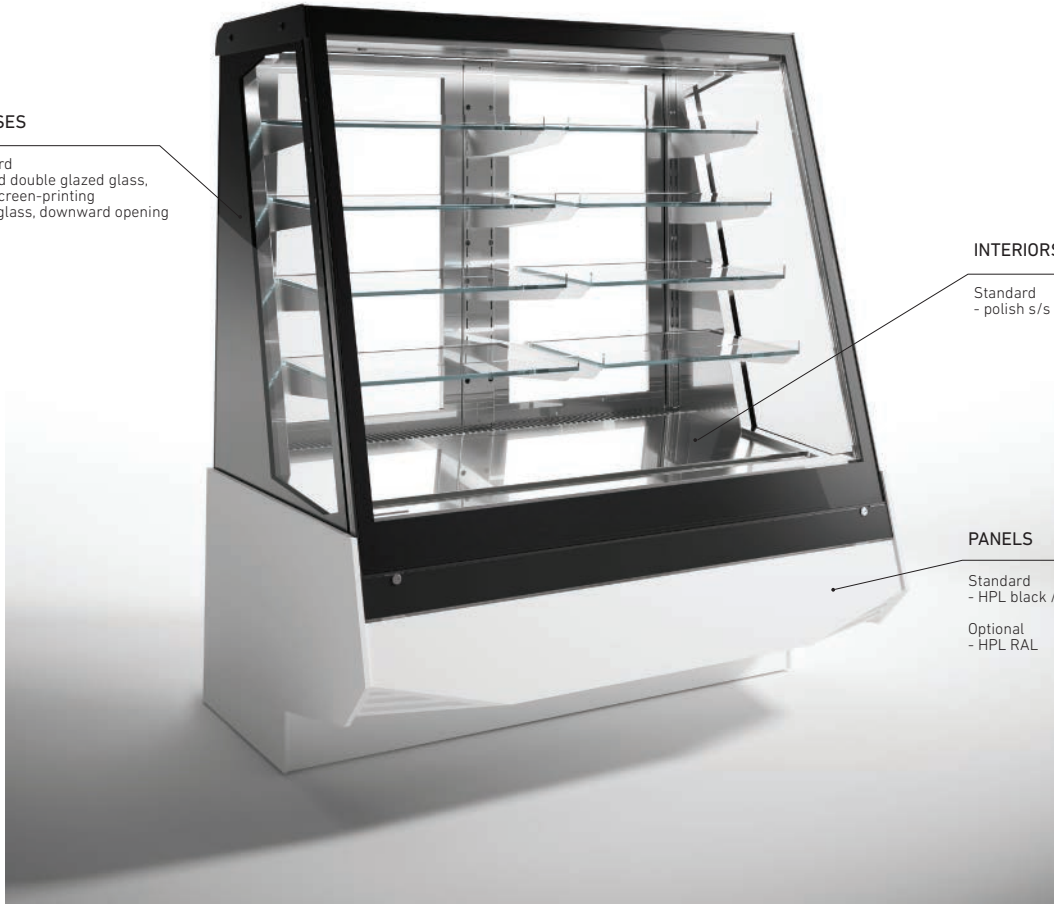
- Standard
- heated double glazed glass, black screen-printing
- front glass, downward opening

INTERIORS

- Standard
- polish s/s

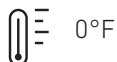
PANELS

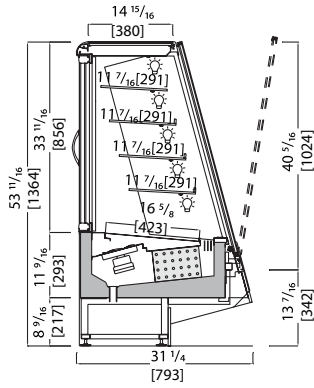
- Standard
- HPL black / white / gray
- Optional
- HPL RAL



Ventilated refrigerated showcase on all display levels

Tempered tilt-down front double glass with pyrolytic anti-fog treatment, double glass sides with aesthetic anti-fog warming system, n.04 intermediate glass shelves with led lighting, operator side closure with heated double glass doors, extra cost for panelling kit | tank insulated with ecological polyurethane and covered in stainless steel on each display level | ventilated refrigeration on each display level | automatic electric defrosting | electronic control unit and digital temperature reader flush with the worktop | display trays in polished steel | worktop in polished steel | supporting frame in galvanized steel with height-adjustable





Technical



Ventilated

Electrical

R452A

N. 4 / RH 55% max
75 °F

Hermetic

220 V / 1 ph / 60 Hz

Led 3.000°K

0 °F

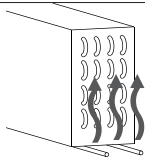
Data Sheet *Measurements are subject to revisions/updates, please refer to manufacturer's drawings at order confirmation *Create weight only

Model Code	Dimensions L x D x H Inches	Weight Lbs	Max Pwr. Consumption W / A	Avg Operating Consumption KW/H	Cooling Power/Expansion BTU / °F	GAS Type
MYAPLTP115E (+PANELS)	45 1/4x30 3/16x53 3/4 52 3/8x37 5/16x65 3/16	397 231	1200/7,0	0,8	2900 / 14	R452A
MYAPLTP165E (+PANELS)	64 15/16x30 3/16x53 3/4 72 1/16x37 5/16x65 3/16	551 320	1400/8,0	0,9	4095 / 14	R452A

Optionals:



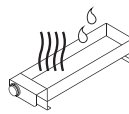
CIV72
Chocolate refrigeration system



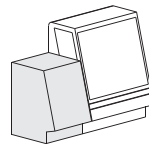
MSE01
Electric defrost



CIT46
Remote assistance



CIT16
Condensation water pan



Adjacent compressor compartment