

SPACE 2

GELATO DISPLAY

Project:
Quantity:

Item:



Finish Options:

Okite- quartz based granite, RAL color system, ALPI wood laminates, Arpa laminates.



Optional Features:

- Operator side night curtain
- Casters
- Dipper well
- Stainless steel cake display insert
- Lift up paper products holder

Standard Features:

- Flavor labels with back lighting
- Fan ventilated refrigeration system with double finned evaporator
- Auto reverse defrost cycle
- Digital control panel
- Tempered lift up front glass
- Polished aluminum profiles
- Sliding plexi-glass doors
- LED lighting



AG ADVANCED GOURMET

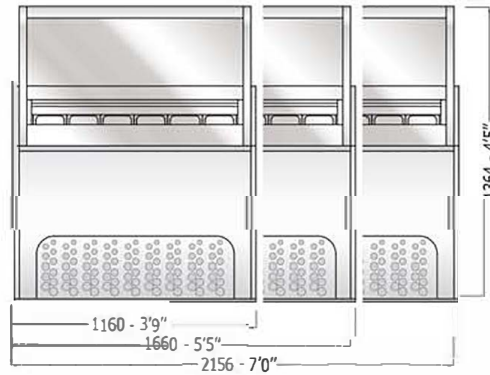
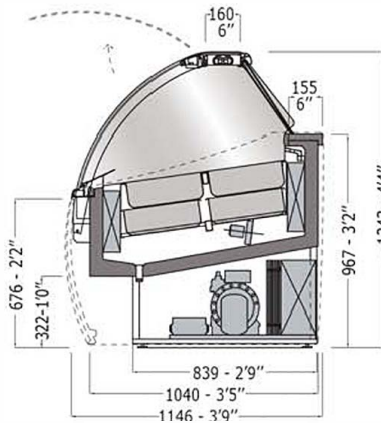
EQUIPMENT & DESIGN

Street: 5C Wendy Ct, Greensboro, NC 27409
Mail: PO Box 18542, Greensboro, NC 27419
P: 336.856.2919 F: 336.217.8838

Sales@AdvancedGourmet.com
AdvancedGourmet.com
PacojetUS.com AdvancedGourmetDisplays.com

SPACE 2

GELATO DISPLAY



SPACE 2 - ICE-CREAM

TECHNICAL FEATURE	VERSIONS	VERSIONS					
		1110	1610	2106	2106 Double Temp.	30° Open Corner	30° Closed Corner
External dimensions (L-D-H)	inches mm	45 ³ / ₈ "-45 ¹ / ₈ "-52 ⁷ / ₈ " 1160-1146-1343	65 ¹ / ₈ "-45 ¹ / ₈ "-52 ⁷ / ₈ " 1660-1146-1343	88 ⁷ / ₈ "-45 ¹ / ₈ "-52 ⁷ / ₈ " 2156-1146-1343	88 ⁷ / ₈ "-45 ¹ / ₈ "-52 ⁷ / ₈ " 2156-1146-1343	62"- 45 ¹ / ₈ "- 52 ⁷ / ₈ " 1574-1146-1343	62"- 45 ¹ / ₈ "- 52 ⁷ / ₈ " 1574-1146-1343
Crated dimensions (L-D-H)	inches mm	53 ¹ / ₈ "- 53 ¹ / ₈ "- 63" 1350-1350-1600	72 ⁷ / ₈ "- 53 ¹ / ₈ "- 63" 1850-1350-1600	92 ¹ / ₂ "- 53 ¹ / ₈ "- 63" 2350-1350-1600	92 ¹ / ₂ "- 53 ¹ / ₈ "- 63" 2350-1350-1600	70 ⁷ / ₈ "- 56"- 63" 1800-1420-1600	70 ⁷ / ₈ "- 56"- 63" 1800-1420-1600
Pans layout - 5,2 Lt mm.360x165x120h 14 1/8" - 6 1/2" - 4 3/4"	flavors nr. / configuration	12	18	24	24 (12+12)	12	12
Pans layout - 5,2 Lt mm.360x250x80h 14 1/8" - 10" - 3 1/8"	flavors nr. / configuration	8	12	16	16 (8+8)	8	8
Refrigeration	Type	Fan Ventilated	Fan Ventilated	Fan Ventilated	Fan Ventilated	Fan Ventilated	Fan Ventilated
Refrig. display area	Type	Deck	Deck	Deck	Deck	Deck	Deck
Operating temp.	°C / °F	-18 /-0.4	-18 /-0.4	-18 /-0.4	-18 /-0.4	-18 /-0.4	-18 /-0.4
Compressor	nr. / Type	1 / semihermetic	1 / semihermetic	1 / semihermetic	2 / semihermetic	1 / semihermetic	1 / semihermetic
Cooling power *	(W)	800	1130	1440	800+800	1030	1030
Electric supply	(V/ph/Hz)	400/3/50 +N (UE) 230-208/3/60 (USA)	400/3/50 +N (UE) 230-208/3/60 (USA)	400/3/50 +N (UE) 230-208/3/60 (USA)	400/3/50 +N (UE) 230-208/3/60 (USA)	400/3/50 +N (UE) 230-208/3/60 (USA)	400/3/50 +N (UE) 230-208/3/60 (USA)
Power consumption	(W/A)	1950/5,2	3030/8,4	4620/9,4	4700/9,5	2820/7,2	2780/6,9
Defrost	Mode / type	reverse cycle	reverse cycle	reverse cycle	reverse cycle	reverse cycle	reverse cycle
Climatic class	N°°C/F°/H.R.	4+/35/95/70%	4+/35/95/70%	4+/35/95/70%	4+/35/95/70%	4+/35/95/70%	4+/35/95/70%
Refrigerant Gas	Type	R404A	R404A	R404A	R404A	R404A	R404A
Net weight	Kg / Lb	254 / 560	323 / 712	360 / 793	410 / 903	295 / 650	295 / 650
Crated weight	Kg / Lb	364 / 802	473 / 1042	560 / 1234	610 / 1344	455 / 1444	455 / 1444

- *Installation of electrical to be completed by contracted electrician
- *Machines do not come with cord or plug and require proper connection within the guidelines of local area
- *Actual finished dimensioned to be taken only from CAD drawings provided by Advanced Gourmet
- *Contact Advanced Gourmet for CAD files

AG ADVANCED GOURMET
EQUIPMENT & DESIGN

United States Importer of:

