

# AMIKA

## CHOCOLATE DISPLAY

Project:  
Quantity:

Item:



### Finish Options:

Okite- quartz based granite, RAL color system, ALPI wood laminates, Arpa laminates.



### Optional Features:

- Operator side night curtain
- Casters
- Granite work top
- Lift up paper products holder
- Remote condensing unit

### Standard Features:

- Fan ventilated refrigeration system with double finned evaporator
- Auto reverse defrost cycle
- Digital control panel
- Tempered lift up front glass
- Polished aluminum profiles
- Sliding plexi-glass doors
- LED lighting
- Humidity control



# AG ADVANCED GOURMET

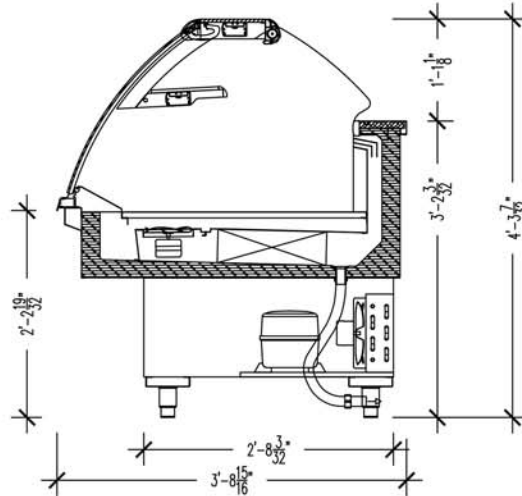
EQUIPMENT & DESIGN

Street: 5C Wendy Ct, Greensboro, NC 27409  
Mail: PO Box 18542, Greensboro, NC 27419  
P: 336.856.2919 F: 336.217.8838

Sales@AdvancedGourmet.com  
AdvancedGourmet.com  
PacojetUS.com AdvancedGourmetDisplays.com

# AMIKA

## CHOCOLATE DISPLAY



TECHNICAL FEATURE		VERSIONS		
		1110	1610	2106
External dimensions (L-D-H)	inches	43.7"-45.12"-51.22"	63.39"-45.12"-51.22"	83.07"-45.12"-51.22"
	mm	1110-1146-1301	1610-1146-1301	2110-1146-1301
Crated dimensions (L-D-H)	inches	53.7"-55.12"-61.22"	73.7"-55.12"-61.22"	93.7"-55.12"-61.22"
	mm	1364-1400-1555	1864-1400-1555	2364-1400-1555
Operating temperature	°C/°F	14° / 57.2°	14° / 57.2°	14° / 57.2°
Electric Supply	(V/ph/Hz)	220/1/60	220/1/60	220/1/60
Power consumption	(W/A)	1000/7.5	1200/8	1300/8.5
Climatic class	N°/°C/°F/H.R.	41 / 35 / 70%	41 / 35 / 70%	41 / 35 / 70%
Net weight	Kg/Lb	195/429	259/570	323/711
Crated weight	Kg/Lb	241/529	305/670	369/811

\*Installation of electrical to be completed by contracted electrician

\*Machines do not come with cord or plug and require proper connection within the guidelines of local area

\*Actual finished dimensioned to be taken only from CAD drawings provided by Advanced Gourmet

\*Contact Advanced Gourmet for CAD files

**AG** ADVANCED GOURMET  
EQUIPMENT & DESIGN

United States Importer of:

