

6040 R4

CHOCOLATE DISPLAY

Project:
Quantity:

Item:



Finish Options:

Okite- quartz based granite, RAL color system, ALPI wood laminates, Arpa laminates.



Optional Features:

- Extra clear glass
- Casters
- Remote condensing unit
- Lift up paper products holder

Standard Features:

- Tilt-back mechanism for the display plate
- Auto reverse defrost cycle
- Digital control panel
- Humidity control
- Hinged on silver aluminum profiles
- LED lighting



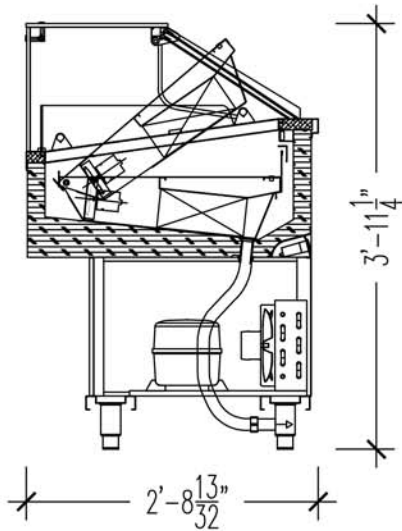
AG ADVANCED GOURMET
EQUIPMENT & DESIGN

Street: 5C Wendy Ct, Greensboro, NC 27409
Mail: PO Box 18542, Greensboro, NC 27419
P: 336.856.2919 F: 336.217.8838

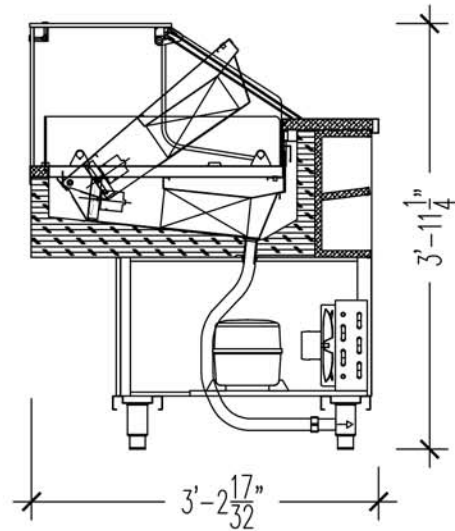
Sales@AdvancedGourmet.com
AdvancedGourmet.com

6040 R4

CHOCOLATE DISPLAY



STANDARD



PREMIUM

TECHNICAL FEATURE		VERSIONS				
		900	1300	1700	2106	ANG. 90° SQ
External dimensions (L-D-H)	inches mm	35.43"-32.48"-47.24" 900-825-1200	51.18"-32.48"-47.24" 1300-825-1200	66.93"-32.48"-47.24" 1700-825-1200	82.68"-32.48"-47.24" 2100-825-1200	102.36"-32.48"-47.24" 2600-825-1200
Operating temperature	°C / °F	+14 / 57.2	+14 / 57.2	+14 / 57.2	+14 / 57.2	+14 / 57.2
Electric supply	(V/ph/Hz)	220/1/60	220/1/60	220/1/60	220/1/60	220/1/60
Climatic class	N°/°C/F°/H.R.	4+/35/70%	4+/35/70%	4+/35/70%	4+/35/70%	4+/35/70%
Net weight	Kg / Lb	104/228.8	127/279.4	157/345.4	172/378.4	144/316.8

*Installation of electrical to be completed by contracted electrician

*Machines do not come with cord or plug and require proper connection within the guidelines of local area

*Actual finished dimensioned to be taken only from CAD drawings provided by Advanced Gourmet

*Contact Advanced Gourmet for CAD files

AG ADVANCED GOURMET
EQUIPMENT & DESIGN

United States Importer of:

