

6040-G1

GELATO DISPLAY

Project:
Quantity:

Item:



Finish Options:

Okite- quartz based granite, RAL color system, ALPI wood laminates, Arpa laminates.



Optional Features:

- Casters
- Dipper well
- Stainless steel cake display insert

Standard Features:

- Patient pending, double opening glass top
- Sliding doors on the operator's side
- Vertical front glass lift up on the customer's side
- Fan ventilated refrigeration system with double finned evaporator
- Auto reverse defrost cycle
- Digital control panel
- LED lighting

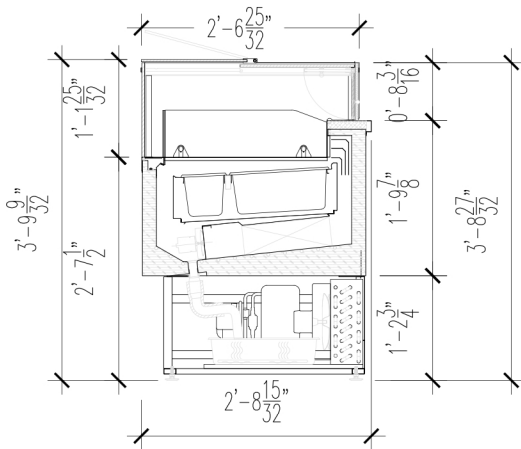


ADVANCED GOURMET
EQUIPMENT & DESIGN

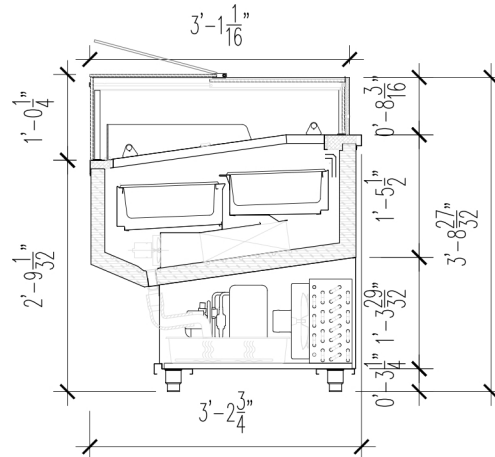
Street: 555 Birch Creek Rd. McLeansville, NC 27301
Mail: PO Box 116, McLeansville, NC 27301
336.856.2919
sales@AdvancedGourmet.com www.AdvancedGourmet.com

6040-G1

GELATO DISPLAY



6040-G1 Narrow



6040-G1 Premium

TECHNICAL FEATURE		VERSIONS					
		12 PAN NARROW	18 PAN NARROW	24 PAN NARROW	12 PAN PREMIUM	18 PAN PREMIUM	24 PAN PREMIUM
External dimensions (L-D-H)	inches	45 ⁵ / ₁₆ "-32 1/2"-45 ⁵ / ₁₆ "	65"-32 1/2"-45 ⁵ / ₁₆ "	84 ¹¹ / ₁₆ "-32 1/2"-45 ⁵ / ₁₆ "	45 ⁵ / ₁₆ "-38 1/2"-45 ⁵ / ₁₆ "	65"-38 1/2"-45 ⁵ / ₁₆ "	84 ¹¹ / ₁₆ "-38 1/2"-45 ⁵ / ₁₆ "
	mm	1150 - 823 - 1150	1650 - 823 - 1150	2150 - 823 - 1150	1150 - 983 - 1150	1150 - 983 - 1150	1150 - 983 - 1150
Crated dimensions (L-D-H)	inches	52"-39"-52"	71"-39"-52"	91"-39"-52"	52"-45"-52"	71"-45"-52"	91"-45"-52"
	mm	1328 - 1001 - 1328	1828 - 1001 - 1328	2328 - 1001 - 1328	1328 - 1161 - 1328	1828 - 1161 - 1328	2328 - 1161 - 1328
Operating temperature	°C/°F	-18 / -0.4	-18 / -0.4	-18 / -0.4	-18 / -0.4	-18 / -0.4	-18 / -0.4
Electric Supply	(V/ph/Hz)	230 / 3 / 60	230 / 3 / 60	230 / 3 / 60	230 / 3 / 60	230 / 3 / 60	230 / 3 / 60
Power consumption	(W/A)	1700 / 9,0	2200 / 11,5	2700 / 14,0	1700 / 9,0	2200 / 11,5	2700 / 14,0
Climatic class	N°/°C/°F/H.R.	4+/30/86/55%	4+/30/86/55%	4+/30/86/55%	4+/30/86/55%	4+/30/86/55%	4+/30/86/55%
Net weight	Kg/Lb	180 / 397	260 / 574	300 / 662	210 / 463	280 / 618	320 / 706
Crated weight	Kg/Lb	225 / 497	305 / 684	345 / 762	255 / 563	325 / 718	400 / 806

*Installation of electrical to be completed by contracted electrician

*Machines do not come with cord or plug and require proper connection within the guidelines of local area

*Actual finished dimensioned to be taken only from CAD drawings provided by Advanced Gourmet

*Contact Advanced Gourmet for CAD files



United States Importer of:

