

# ROMA DISPLAY

ICE CREAM / POZZETTI

Project:

Item:

Quantity:



## Standard Features:

- Heated front and side glass
- Anti-rotation system to keep tubs from spinning while scooping
- 90° Sliding Doors
- Easy-to-Clean Filtration System
- LED Lighting
- HPL Paneling Kit
- Adjustable Legs

## Optional Features:

- Choice of Color
- Dipper Well
- Locking Casters
- Layout Flexibility: Can be customized & to fit just about any sized tub.

## Finish Options:

Okite- quartz based granite, RAL color system, ALPI wood laminates, Arpa laminates.



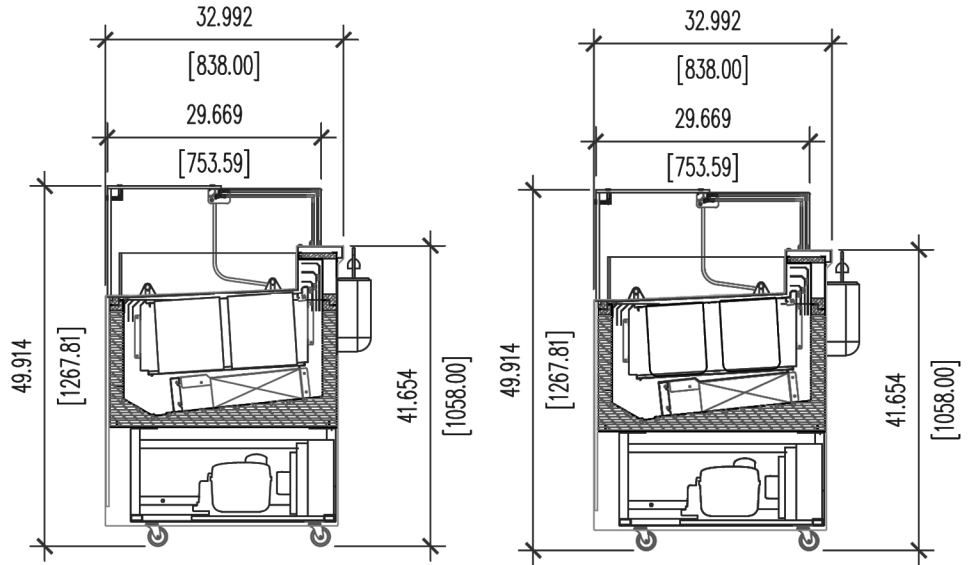
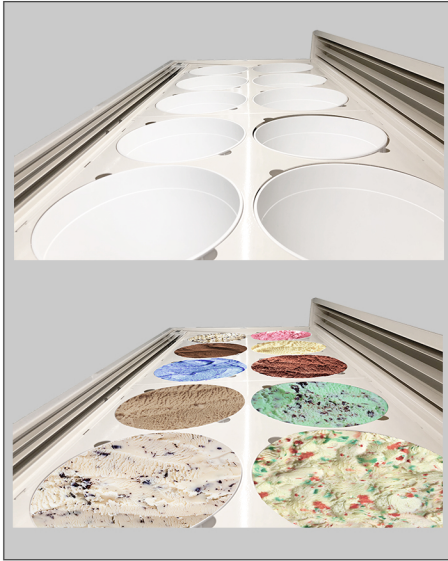
OKITE



# CIAM

REFRIGERATION DESIGN

# ROMA DISPLAY ICE CREAM / POZZETTI



## TECHNICAL FEATURE

External Dimensions (L-D-H)	inches
Operating Temp. Range	°F
Net Weight	Lbs.
Electric Supply	V/Ph/Hz

## VERSIONS

### Ice Cream

External Dimensions (L-D-H)	66.54"-32.99"-41.65"
Operating Temp. Range	0 - 10
Net Weight	575
Electric Supply	220/1/60

### Pozzetti

External Dimensions (L-D-H)	66.54"-32.99"-41.65"
Operating Temp. Range	0 - 10
Net Weight	575
Electric Supply	220/1/60

\*Installation of electrical to be completed by contracted electrician

\*Machines do not come with cord or plug and require proper connection within the guidelines of local area

\*Actual finished dimensioned to be taken only from CAD drawings provided by Advanced Gourmet

\*Contact Advanced Gourmet for CAD files



**ADVANCED GOURMET**  
EQUIPMENT & DESIGN

555 Birch Creek Rd. McLeansville, NC 27301  
PO Box 116 McLeansville, NC 27301  
P: 336.856.2919 F: 336.217.8838

Sales@AdvancedGourmet.com  
www.advancedgourmet.com