

cattabriga MASTERCHEF

Model: MC 12

Project:

Quantity:

Item:



Multifunction Beater



Double Lid



Cortex Board



Inverter



High Temperature Heating



Eco Friendly Heating

Standard Features:

- precise temperature control
- process sweet and savory recipes
- small footprint
- flexible production (3L-9L)
- hold recipes at proper temperature



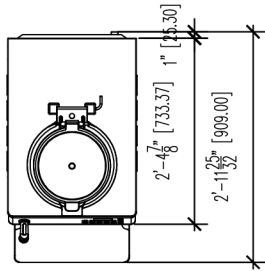
AG

ADVANCED GOURMET EQUIPMENT & DESIGN

555 Birch Creek Rd. McLeansville, NC 27301
PO Box 116 McLeansville, NC 27301
P: 336.856.2919 F: 336.217.8838

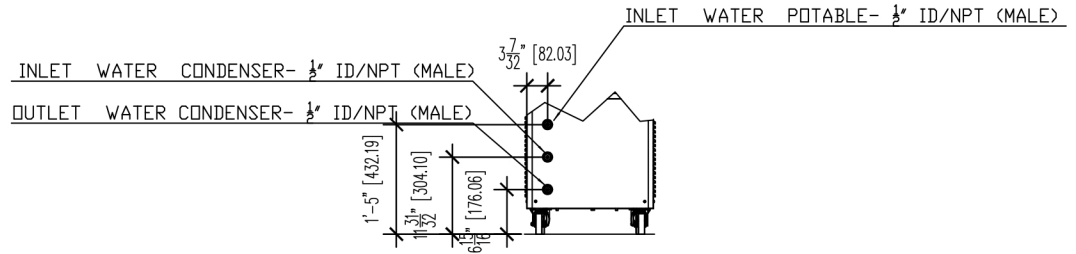
Sales@AdvancedGourmet.com
www.advancedgourmet.com

Plan View

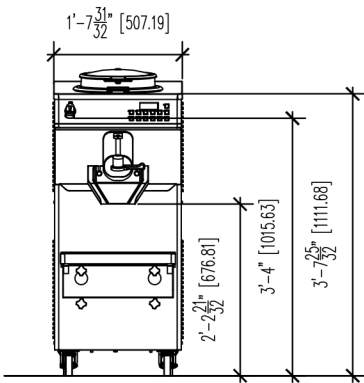


0'-6" MINIMUM SIDE CLEARANCE

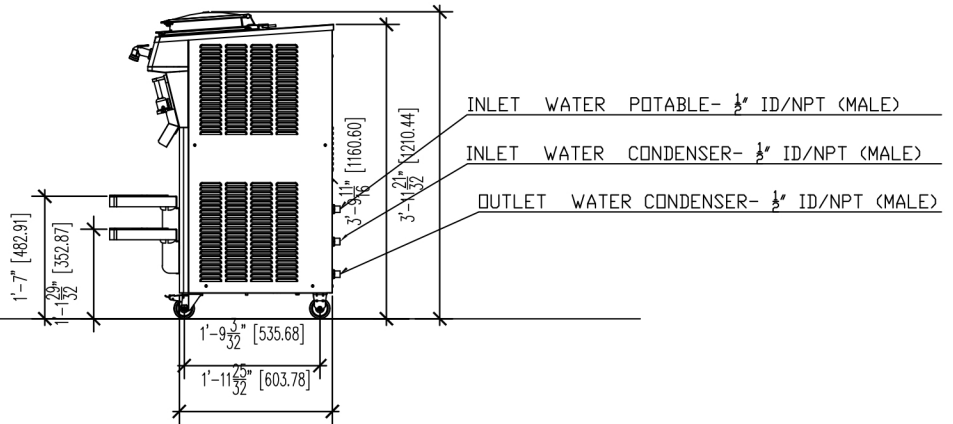
Rear Detail



Front Elevation



Side View



Technical Specifications: Multichef-12



- Cylinder Capacity: 12Lt.
- Electrical Supply (V/Ph/Hz): 208-230V/3Ph/60Hz.
- Min Amp/Max Fuse: 38/60
- Dimensions (WxDxH): 19.88"x27.56"x50.39"
- Net Wt. Kg/Lb: 220Kg/485Lb.

- *Installation of electrical and plumbing to be completed by contracted electrician
- *Machines do not come with cord or plug and require proper connection within the guidelines of local area
- *Continuing research results in steady improvements; therefore, **these specifications are subject to change without notice**