

Project:
Quantity:
Item:

Standard Features:

- Top cylinder for heating and mixing; just add ingredients while the bottom cylinder freezes- all simultaneously
- Patented external transfer system between top and bottom cylinder
- Small footprint and efficient utility requirements
- Electronic control panel/single touch pad design
- Flexible sprayer to clean the cylinder
- Front lids with safety devices for cylinder opening
- UL-NSF
- Easy to remove and clean, Delrin Blade

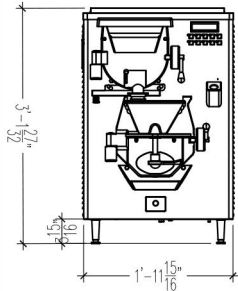


Project:

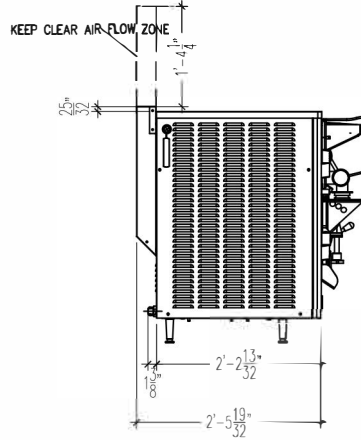
Quantity:

Item:

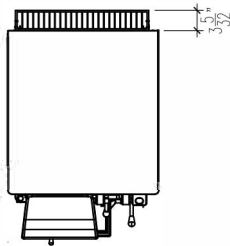
Front Elevation



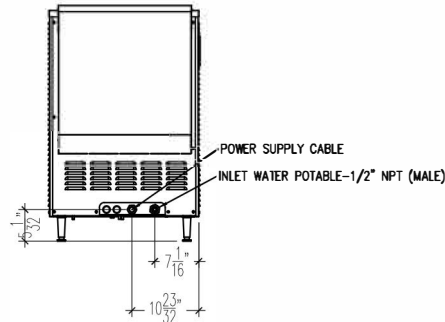
Side View



Plan View

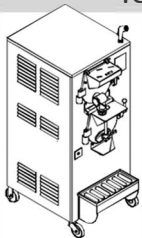


Rear Detail



0'-6" MINIMUM SIDE CLEARANCE

Technical Specifications: Compacta 4



Quantity per Batch Min/Max:

Electrical Supply (V/Ph/Hz.): 208-230V/1Ph/60Hz.

Min Amp./Max Fuse: 35/40 *Pending Factory Finalization*

Dimensions (WxDxH): 23.94"x29.59"x37.84"

Net Wt. Lb.: 484

*Installation of electrical and plumbing to be completed by contracted electrician

*Machines do not come with cord or plug and require proper connection within the guidelines of local area

*Continuing research results in steady improvements; therefore, **these specifications are subject to change without notice**