

cattabriga K20

Model: K20

Project:

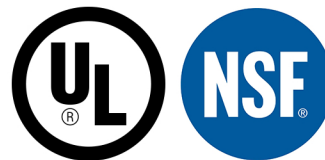
Quantity:

Item:



Standard Features:

- Superior and patented dasher system
- Fully automatic
- Continuously controls the consistency of the product
- Flexibility to process small and large quantities
- Electronic consistency control



AG

ADVANCED GOURMET EQUIPMENT & DESIGN

555 Birch Creek Rd. McLeansville, NC 27301
PO Box 116 McLeansville, NC 27301
P: 336.856.2919 F: 336.217.8838

Sales@AdvancedGourmet.com
www.advancedgourmet.com

cattabriga K20

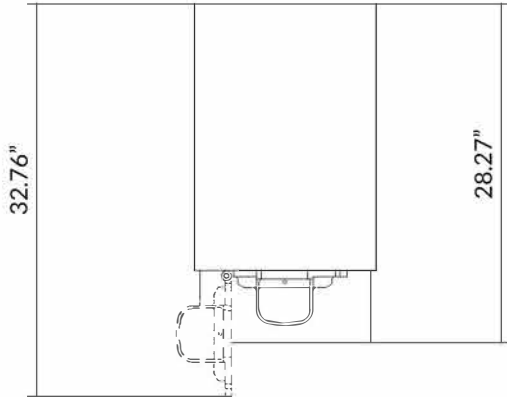
Model: K20

Project:

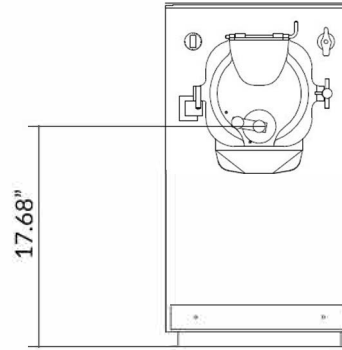
Quantity:

Item:

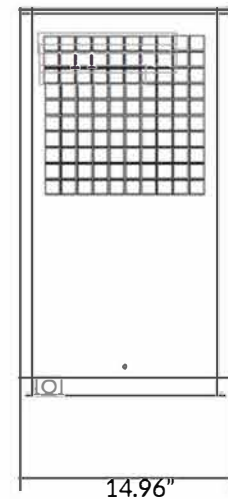
UPPER VIEW



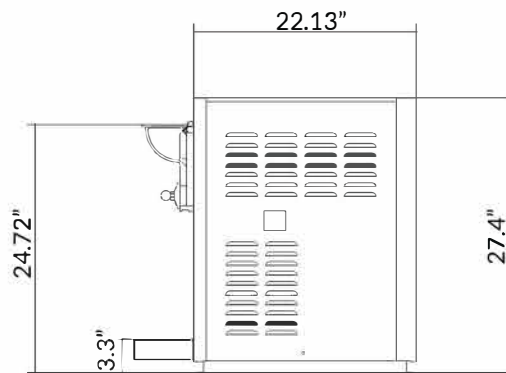
FRONT VIEW



REAR VIEW



RIGHT VIEW



Technical Specifications: K20

Capacity Min/Max: 1.5L/2.5L

Electrical Supply (V/Ph/Hz): 230V/1Ph/60Hz.

Fuse/Breaker Size: 20 Amp. Max

Dimensions (WxDxH): 14.96" x 22.13" x 27.4"

Net Wt. Kg/Lb: 116Kg./255.7Lb.

*Installation of electrical and plumbing to be completed by contracted electrician

*Machines do not come with cord or plug and require proper connection within the guidelines of local area

*Continuing research results in steady improvements; **therefore, these specifications are subject to change without notice**



ADVANCED GOURMET

EQUIPMENT & DESIGN

555 Birch Creek Rd. McLeansville, NC 27301
PO Box 116 McLeansville, NC 27301
P: 336.856.2919 F: 336.217.8838

Sales@AdvancedGourmet.com
www.advancedgourmet.com