

# cattabriga MASTERCHEF

Model: MC 12

Project:

Quantity:

Item:



Multifunction Beater



Double Lid



Cortex Board



Inverter



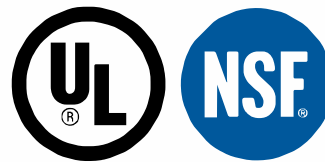
High Temperature Heating



Eco Friendly Heating

Standard Features:

- precise temperature control
- process sweet and savory recipes
- small footprint
- flexible production (3L-9L)
- hold recipes at proper temperature



# AG ADVANCED GOURMET

EQUIPMENT & DESIGN

Street: 5C Wendy Ct, Greensboro, NC 27409

Mail: PO Box 18542, Greensboro, NC 27419

P: 336.856.2919 F: 336.217.8838

Sales@AdvancedGourmet.com

AdvancedGourmet.com

PacojetUS.com AdvancedGourmetDisplays.com

# cattabriga MASTERCHEF

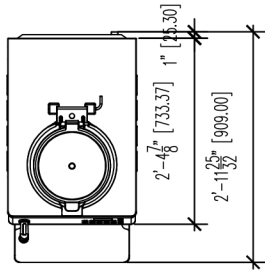
Model: MC 12

Project:

Quantity:

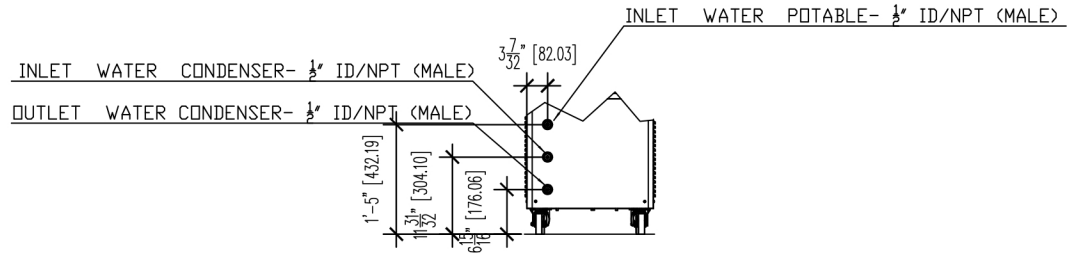
Item:

Plan View

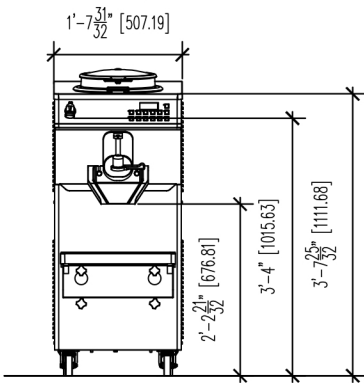


**\*0'-6" MINIMUM SIDE CLEARANCE\***

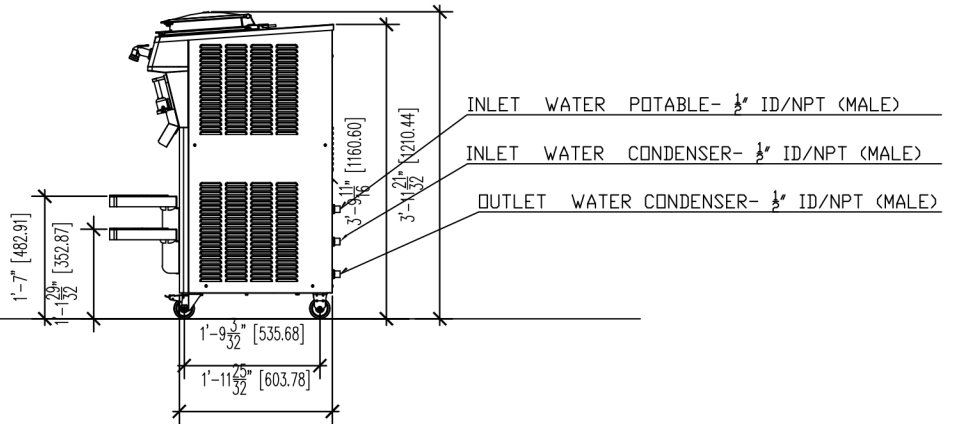
Rear Detail



Front Elevation



Side View



## Technical Specifications: Multichef-12



- Cylinder Capacity: 12Lt.
- Electrical Supply (V/Ph/Hz): 208-230V/3Ph/60Hz.
- Min Amp/Max Fuse: 38/60
- Dimensions (WxDxH): 19.88"x27.56"x50.39"
- Net Wt. Kg/Lb: 220Kg/485Lb.

- \*Installation of electrical and plumbing to be completed by contracted electrician
- \*Machines do not come with cord or plug and require proper connection within the guidelines of local area
- \*Continuing research results in steady improvements; therefore, **these specifications are subject to change without notice**